

19m B Double

Tough bulk haulage tippers



19m Hydraulic Rollback Body/TOA



19m Hydraulic Rollback Body/Chassis Tipper



Greaseless Sliding Suspension/TOA

- Built tough to perform tough day in day out
- Available in hydraulic rollback/slider lead; Chassis tipper and TOA configurations tag
- Choice of side heights up to 7'2" to suit your haulage application

The Forefront of Trailer Technology

LUSTY EMS 

www.lustyems.com.au

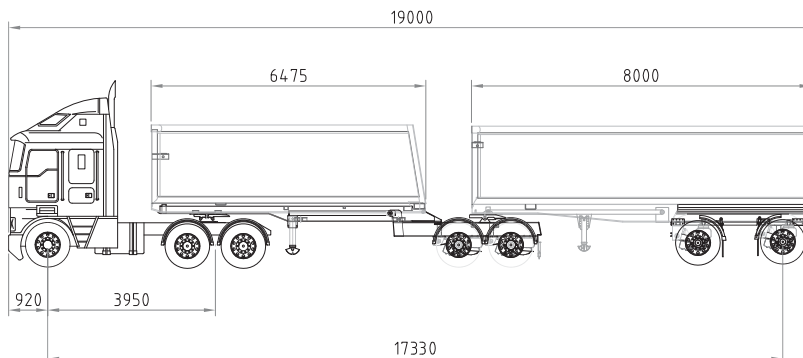
19m B Double-Specifications

Configurations		Greaseless sliding suspension	Hydraulic rollback body
Bin Lengths	A Trailer	6.5m	6.0 – 6.5m
	B Trailer	Dependent on prime mover	Dependent on prime mover

ALUMINIUM BODY

Construction	Body construction using Lusty EMS designed extrusions. All welding is to the highest standard using water cooled Pulse MIG welders
Floor	6mm aluminium plate, one piece sheet, 5083 marine grade
Walls	5mm aluminium plate, one piece sheets, 5083 marine grade
Top Rail	One piece extrusion, Huck bolted to side sheet
Suspension	Various air bag suspension options available
Hoists	Well mounted, low profile hoist
Braking System	Dual line ADR approved
Standard Equipment	<ul style="list-style-type: none"> • One way tailgate with grain chute and grain locks with spreader chains • Stainless steel weatherproof toolbox • Aluminium 60L water tank • Internal and external steps and ladders • Greaseless turntable • Narva LED multi volt lights rear and sides • Bridgestone 11R 22.5 R285 radials • 2 speed landing legs • Dual tyre carrier
Options	<ul style="list-style-type: none"> • Quick release rolltarp with rolled tarp bows - QLD style or Pelmet ends • High sides – up to 7'2" • Alloy 10 stud wheels • Ballrace turntable • Disc brakes
Tare	Approximately 10.1t with alloy wheels, 6' sides and rolltarp

19m Double Slider (typical dimensions)



www.lustyems.com.au
See your local Lusty EMS dealer.

Queensland
Head Office
Richlands 07 3375 0000

Victoria
MaxiTRANS Vic Branch
Derrimut 03 8368 1111

Victoria
Mildura Truck Centre
Sunraysia 03 5051 2800
Swan Hill 03 5033 1372

South Australia
Lusty EMS Branch
Wingfield 08 8262 1990

New South Wales
SX Trailers
Sydney 02 9755 3333
Wagga Wagga 02 6921 8377
Newcastle 02 4967 5622

Western Australia
Park Motor Body
Builders
Perth 08 9378 0600

New Zealand
MaxiTRANS
Auckland 09 269 0712